

JAMB

CURB OPTION

S.S. FASTENER 12" O.C.
OR PROJECT SPECIFIED

SNAP CAP

SEALANT

COUNTER FLASHING

GLAZING

THERMAL BREAK

NEOPRENE
RUBBER
GASKETING

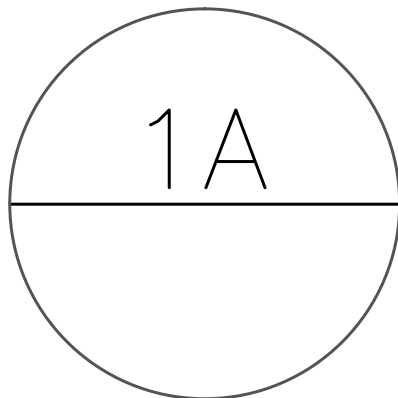
STEP FLASHING

ROOF DECK

3" GALVANIZED
DECK SCREW 12" O.C.

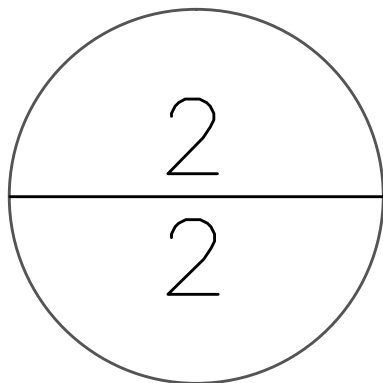
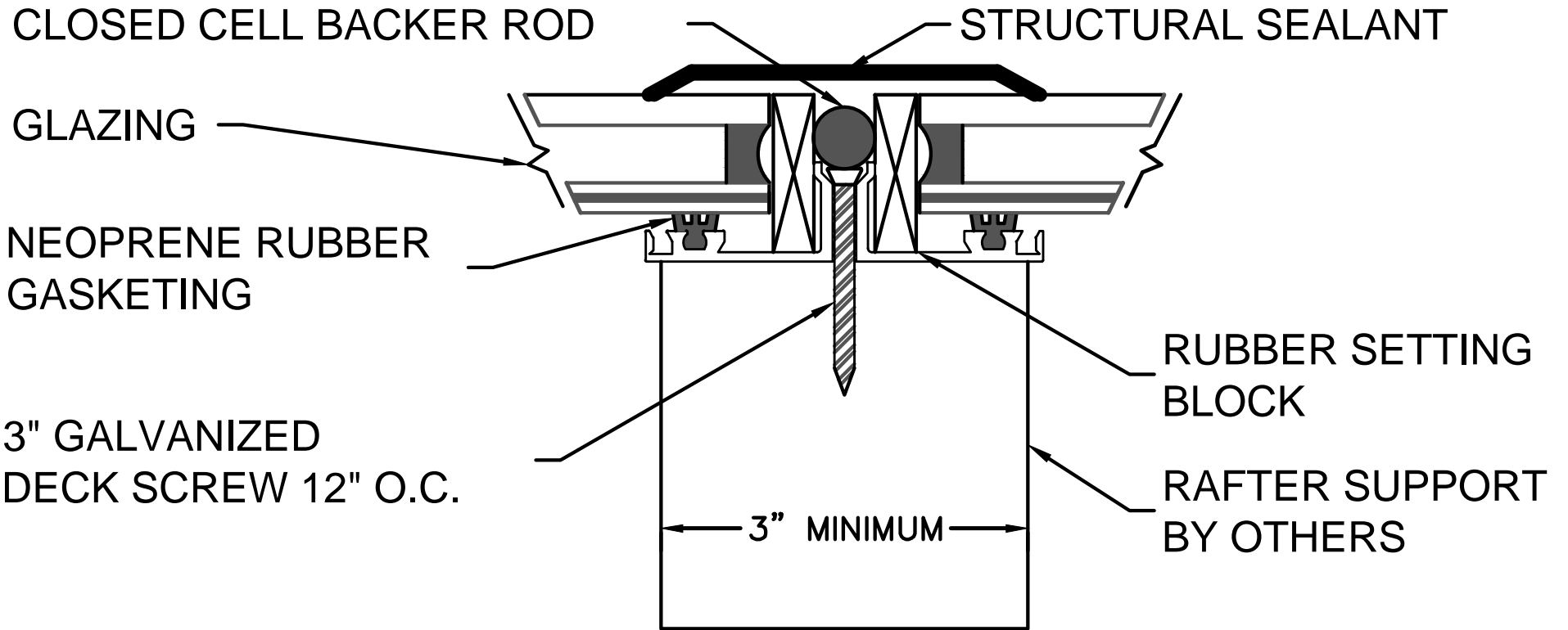
3" MINIMUM

RAFTER SUPPORT
BY OTHERS



JAMB DECK

2 DECK MOUNT



BUTT GLAZE
 PURLIN

S.S. FASTENER 12" O.C.
OR PROJECT SPECIFIED

SNAP CAP

NEOPRENE RUBBER
GASKETING

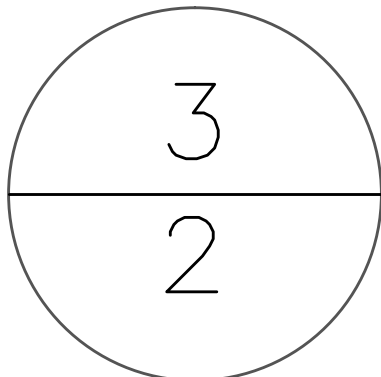
GLAZING

NEOPRENE RUBBER
GASKETING

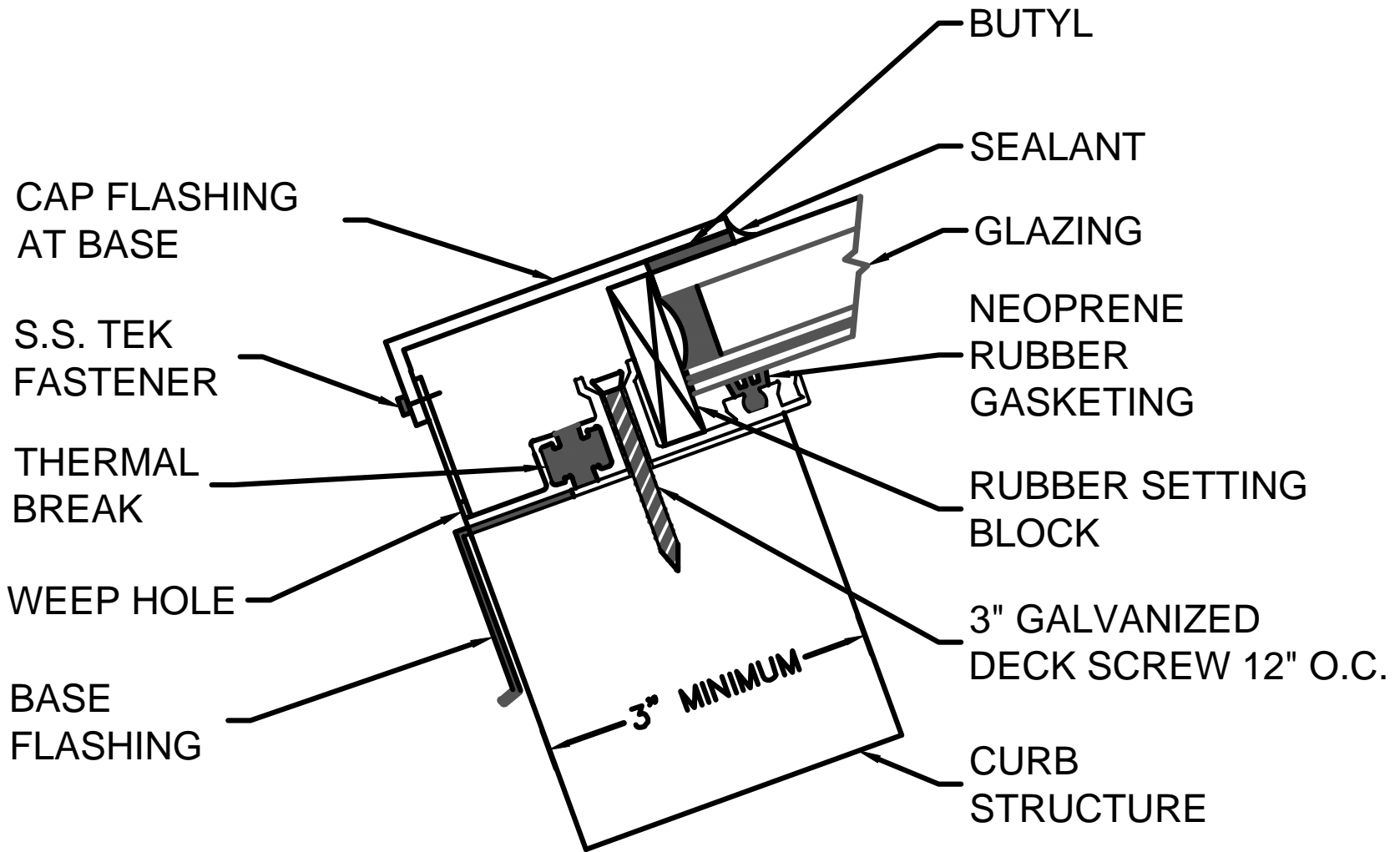
3" GALVANIZED
DECK SCREW
12" O.C.

RAFTER SUPPORT

3" MINIMUM



INTERMEDIATE
RAFTER



4	BASE
2	SILL